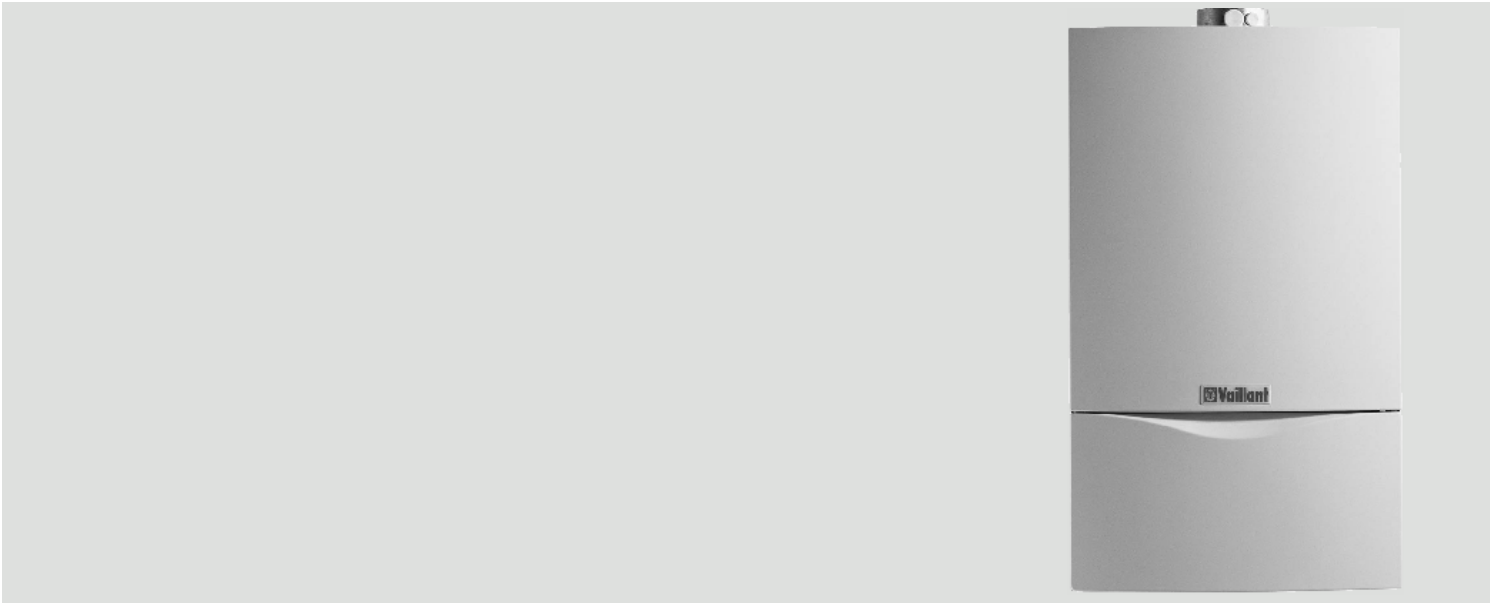


Spare part catalogue

840001.02 GB 07/2005



Wall-hung boilers aquaPLUS

VUI 362-7
VUI 362-7 R3

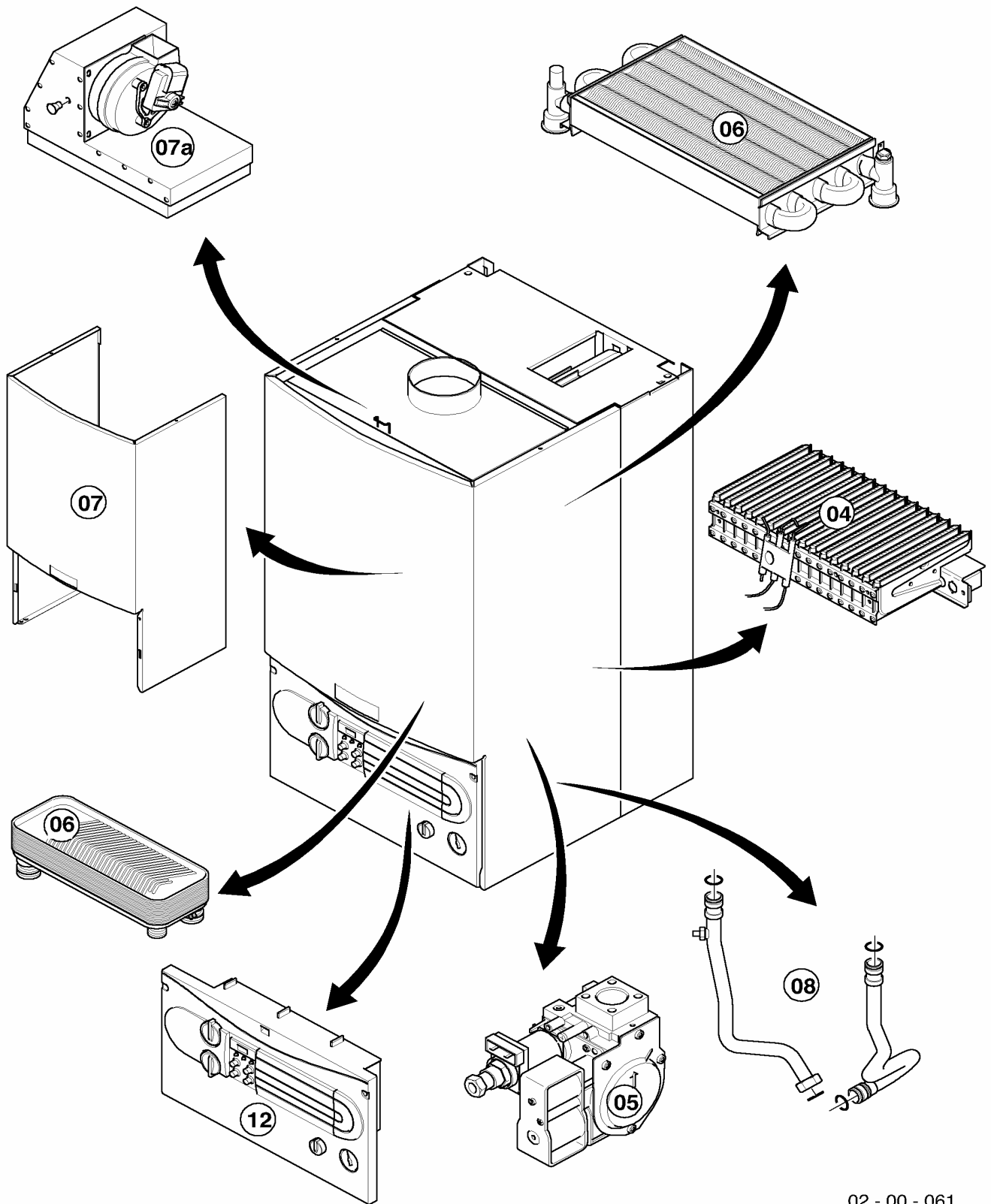
Content

General view of sheet	aquaPLUS VUI 362-7	Page 3
04 Burner		Page 4
05 Gas section		Page 6
06 Heat exchanger		Page 8
07 Casing parts		Page 10
07 Air pressure chamber, fan		Page 12
08 Hydraulic parts		Page 14
12 Control box		Page 18
General view of sheet	aquaPLUS ..R3 VUI 362-7 R3	Page 21
04 Burner		Page 22
05 Gas section		Page 24
06 Heat exchanger		Page 26
07 Casing parts		Page 28
07 Air pressure chamber, fan		Page 30
08 Hydraulic parts		Page 32
12 Control box		Page 36
Notes		Page 38

In order to maintain the safe and efficient operation of this appliance, only genuine Vaillant spare parts must be used.

General view of sheet

VUI 362-7, aquaPLUS



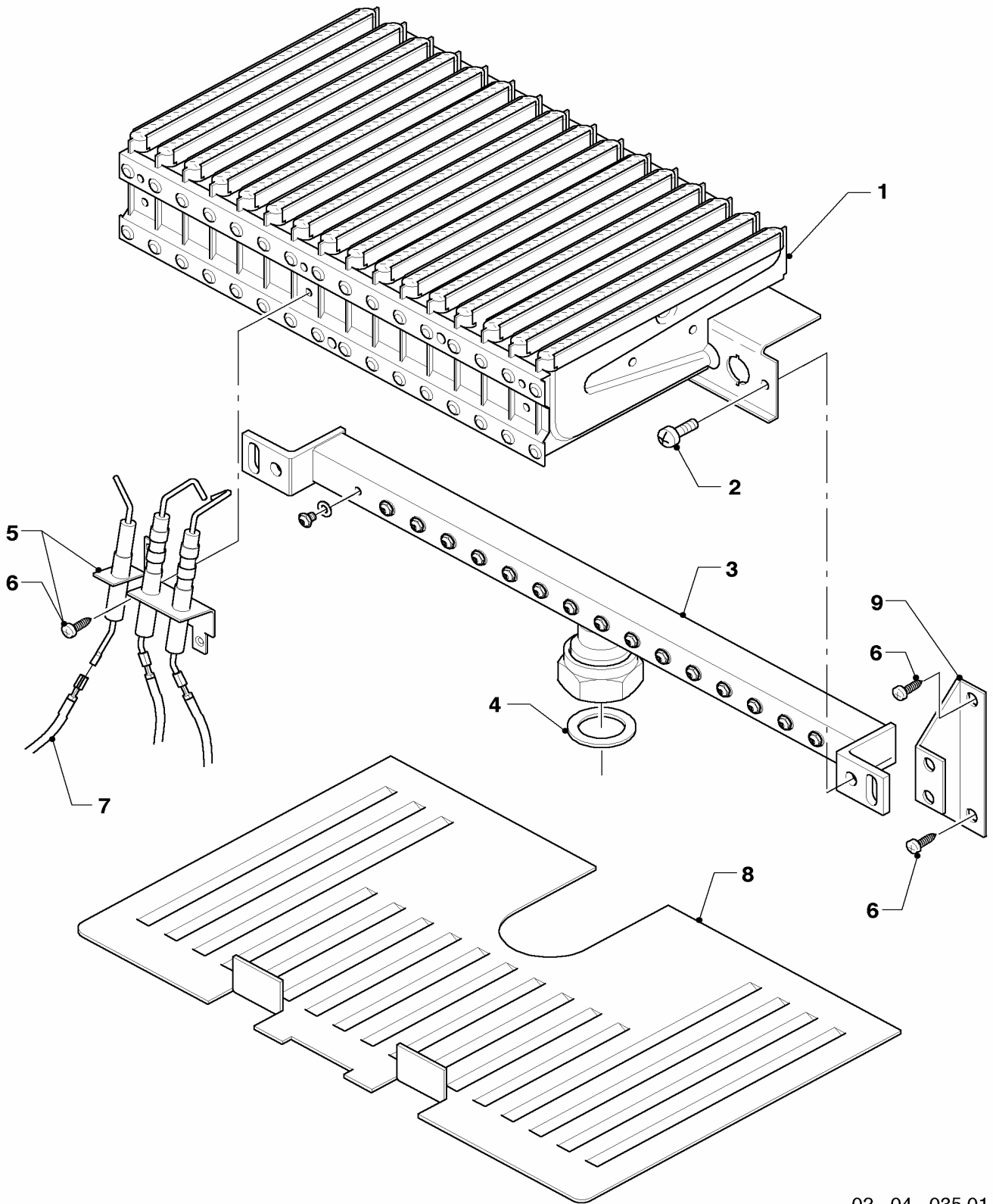
02 - 00 - 061

Subject to alteration !

Attention: Please take the gross price from the valid price list !

04 Burner

VUI 362-7, aquaPLUS



02 - 04 - 035.01

04 Burner

VUI 362-7, aquaPLUS

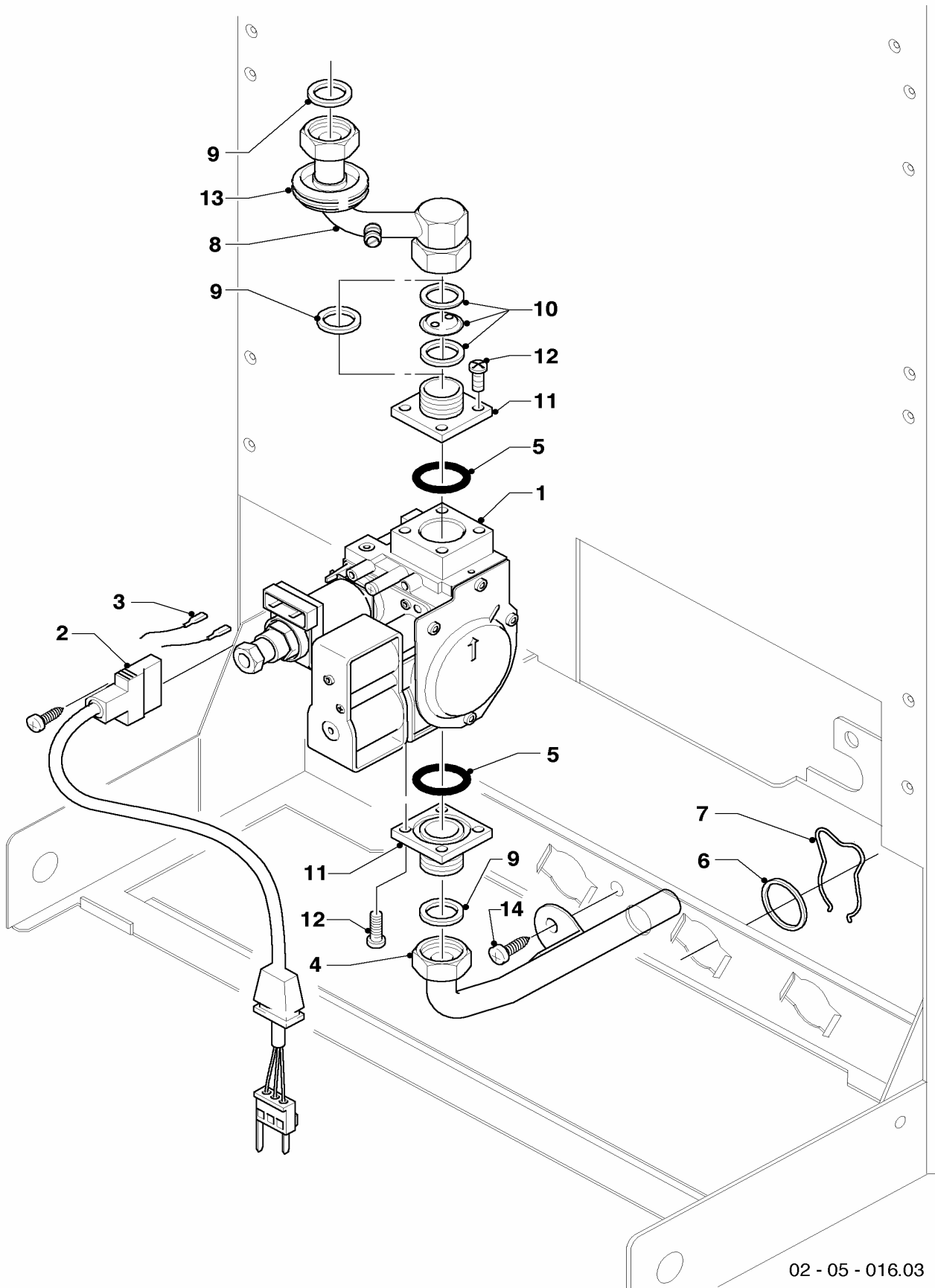
Pos.	Art.-No	Part	Type, note
		02-04-035	
01	031532	burner chamber group	with part 02
02	118937	lens head screw	
03	126795	distributor tube,cpl. H	VUI 362-7 H, with parts 02,04
03	126796	distributor tube,cpl. B	VUI 362-7 B, with parts 02,04
04	981142	packingring (set of 10)	
05	090751	ignition + monitoring elektrode	with part 06
06	235750	screw	
07	256304	cable tree	
08	-	-	not for GB
09	098916	support (set of 2)	with parts 02,06

Subject to alteration !

Attention: Please take the gross price from the valid price list !

05 Gas section

VUI 362-7, aquaPLUS



02 - 05 - 016.03

05 Gas section

VUI 362-7, aquaPLUS

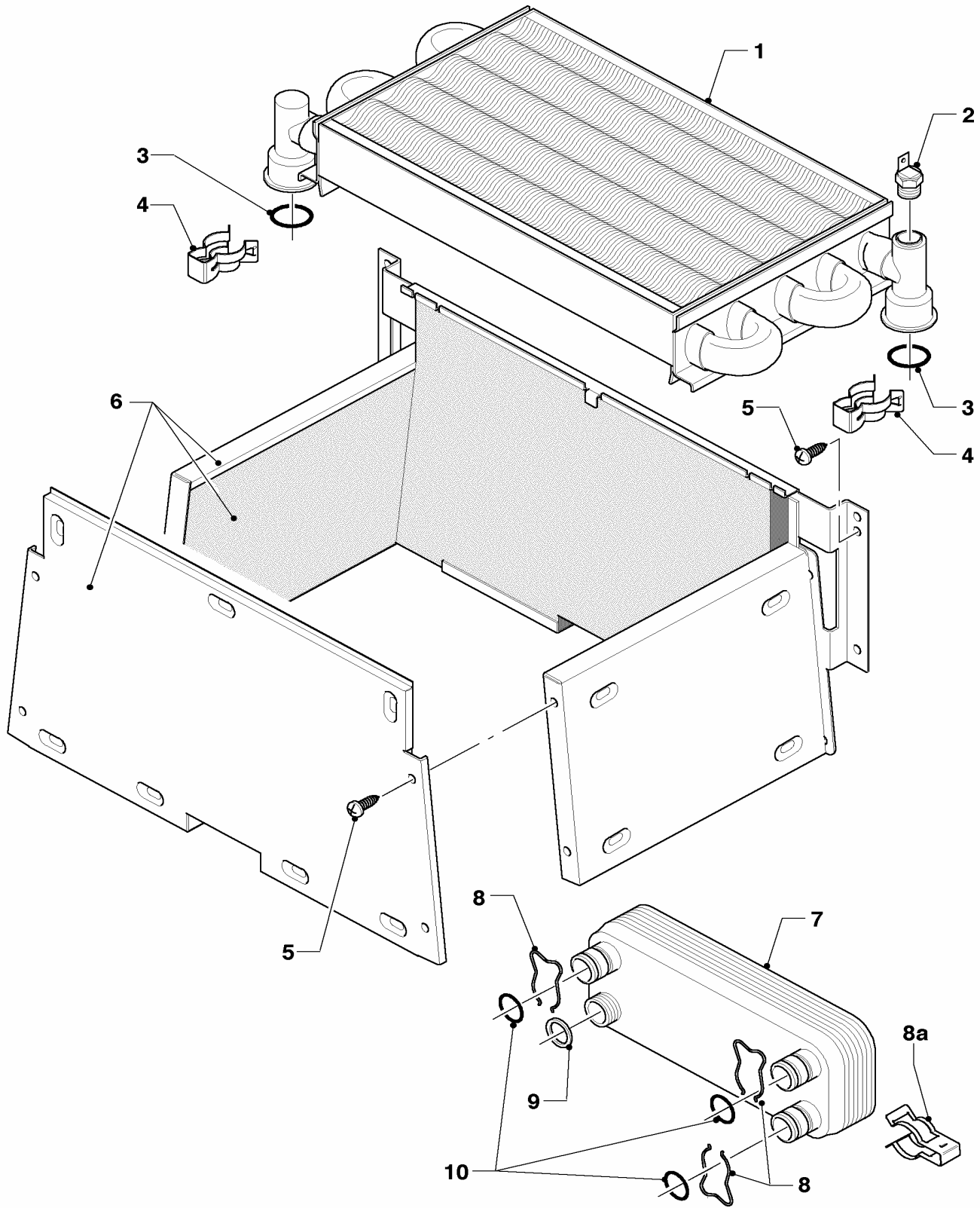
Pos.	Art.-No	Part	Type, note
		02-05-016	
00	201991	conversion set P/B (SIT+HW)	VUI 362-7 H, not shown
00	222369	conversion set H (SIT+HW)	VUI 362-7 B, not shown
01	053462	gas section, cpl. H	VUI ... H, with parts 05,09,10,11,12
01	053463	gas section, cpl. P/B	VUI ... B, with parts 05,09,10,11,12
02	090915	connection cable	
03	256304	cable tree	
04	123503	gas tube	with parts 06,07,09,14
05	982319	O-ring seal	
06	981140	packingring (set of 10)	
07	219622	spring clamp (set of 10)	
08	123502	gas tube	with parts 09,13
09	981142	packingring (set of 10)	
10	-	-	These appliances do not have a throttle jet.
11	147759	adaptor piece	with parts 05,09,10,12
12	105901	lens head screw M4x10 (pack of 10)	
13	980765	grommet	
14	235715	screw	

Subject to alteration !

Attention: Please take the gross price from the valid price list !

06 Heat exchanger

VUI 362-7, aquaPLUS



02 - 06 - 026.02

06 Heat exchanger

VUI 362-7, aquaPLUS

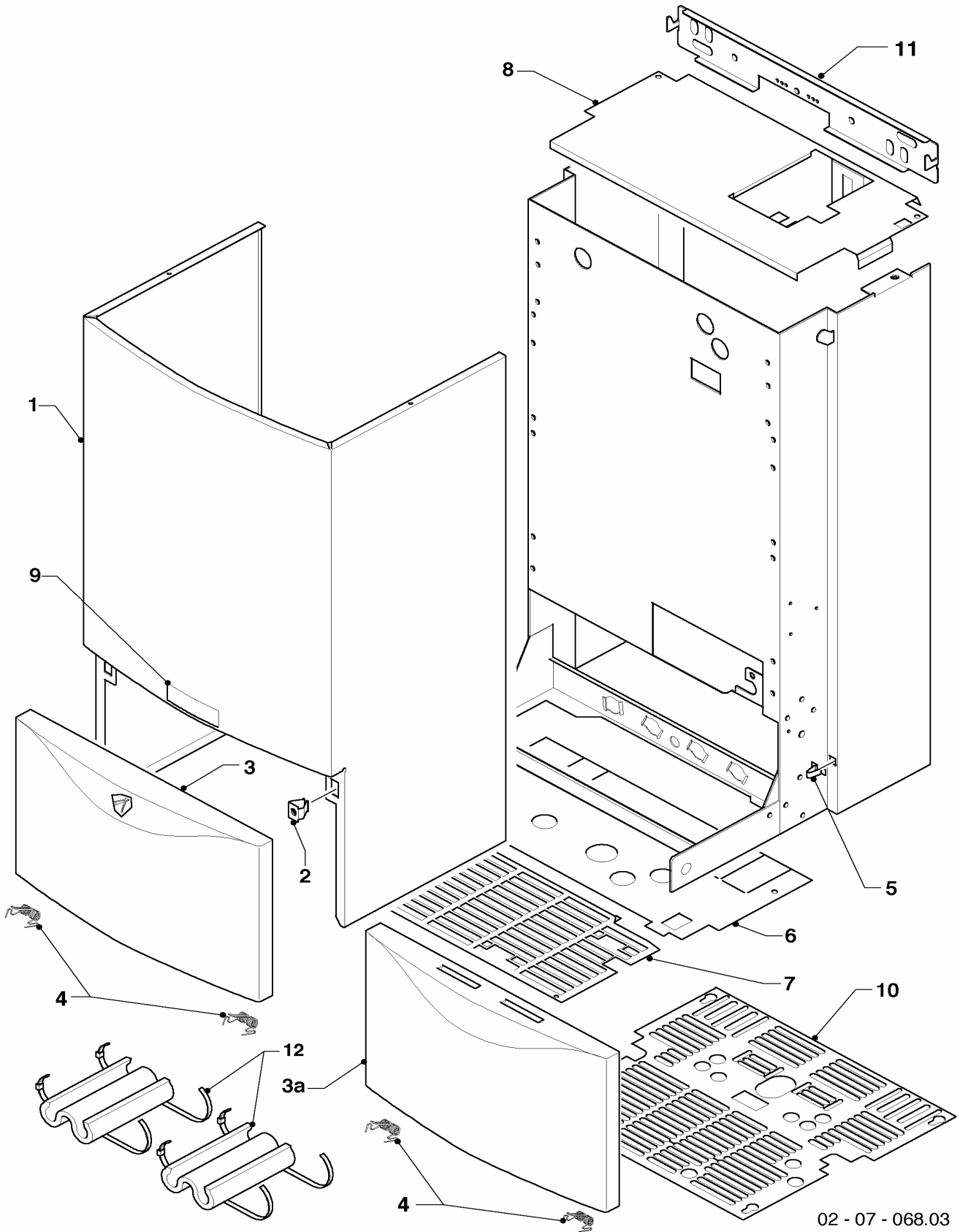
Pos.	Art.-No	Part	Type, note
		02-06-026	
01	065152	heat exchanger, cpl. 36kW	with parts 03,04
02	252805	NTC-sensor	
03	981151	packingring (set of 10)	
04	219621	spring clamp (set of 10)	
05	235715	screw	
06	117545	combustion chamber, 28-36kW	with part 05
07	064724	secondary heat exchanger, 28 plates	with parts 08,08a,09,10
08	219622	spring clamp (set of 10)	
08a	219636	clip (set of 2)	
09	981142	packingring (set of 10)	
10	981163	packingring (set of 10)	

Subject to alteration !

Attention: Please take the gross price from the valid price list !

07 Casing parts

VUI 362-7, aquaPLUS



02 - 07 - 068.03

07 Casing parts

VUI 362-7, aquaPLUS

Pos.	Art.-No	Part	Type, note
		02-07-068	
01	067314	case cpl.	with parts 02,05
02	219620	clip (pack of 10)	
03	-	-	not for these appliances
03a	078345	cover, casing (sheet metal)	with part 04
04	188742	spring (pack of 2)	
05	219619	clip (pack of 10)	
06	-	-	no longer available
07	-	-	no longer available
08	069934	top cover	
09	118096	badge, cpl.	
10	079639	bottom cover	
11	099035	hanging bracket	
12	-	-	not for these appliances

Subject to alteration !

Attention: Please take the gross price from the valid price list !

07a Air pressure chamber, fan

VUI 362-7, aquaPLUS

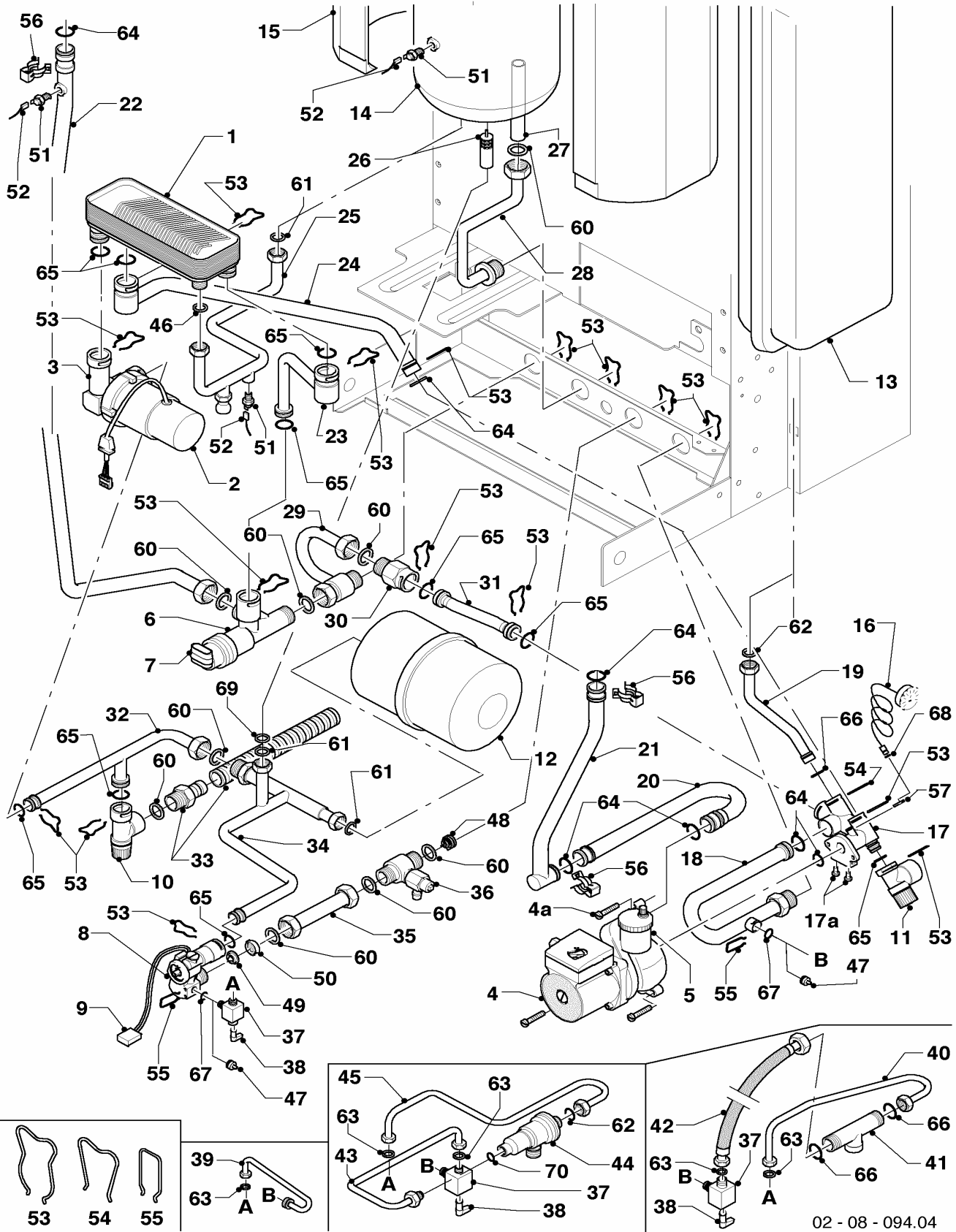
Pos.	Art.-No	Part	Type, note
		02-07-040	
01	077794	flue collector cap	with parts 04,10
01a	-	-	not for these appliances
02	190262	fan	with parts 03,05
02a	-	-	not for these appliances
03	235715	screw	
04	210981	rubber funnel	
05	094282	pitot tube, cpl.	MVL + FIME
06	256304	cable tree	
07	084139	hose, cpl.	
08	050577	fan proving switch	with part 07
09	078910	combustion chamber cover, cpl.	with parts 10,11,12
10	139472	plug (set of 3)	
11	-	-	no longer available, for replacement see pos. 09 (cover underpressure chamber, cpl.)
12	981048	seal, cpl.	
13	194170	reducing ring F-F2	
13a	-	-	not for these appliances
14	083384	sleeve, cpl.	with part 18
15	133627	test nipple, cpl.	
16	980765	grommet	
17	980766	seal	
18	981178	packingring	

Subject to alteration !

Attention: Please take the gross price from the valid price list !

08 Hydraulic parts

VUI 362-7, aquaPLUS



02 - 08 - 094.04

08 Hydraulic parts

VUI 362-7, aquaPLUS

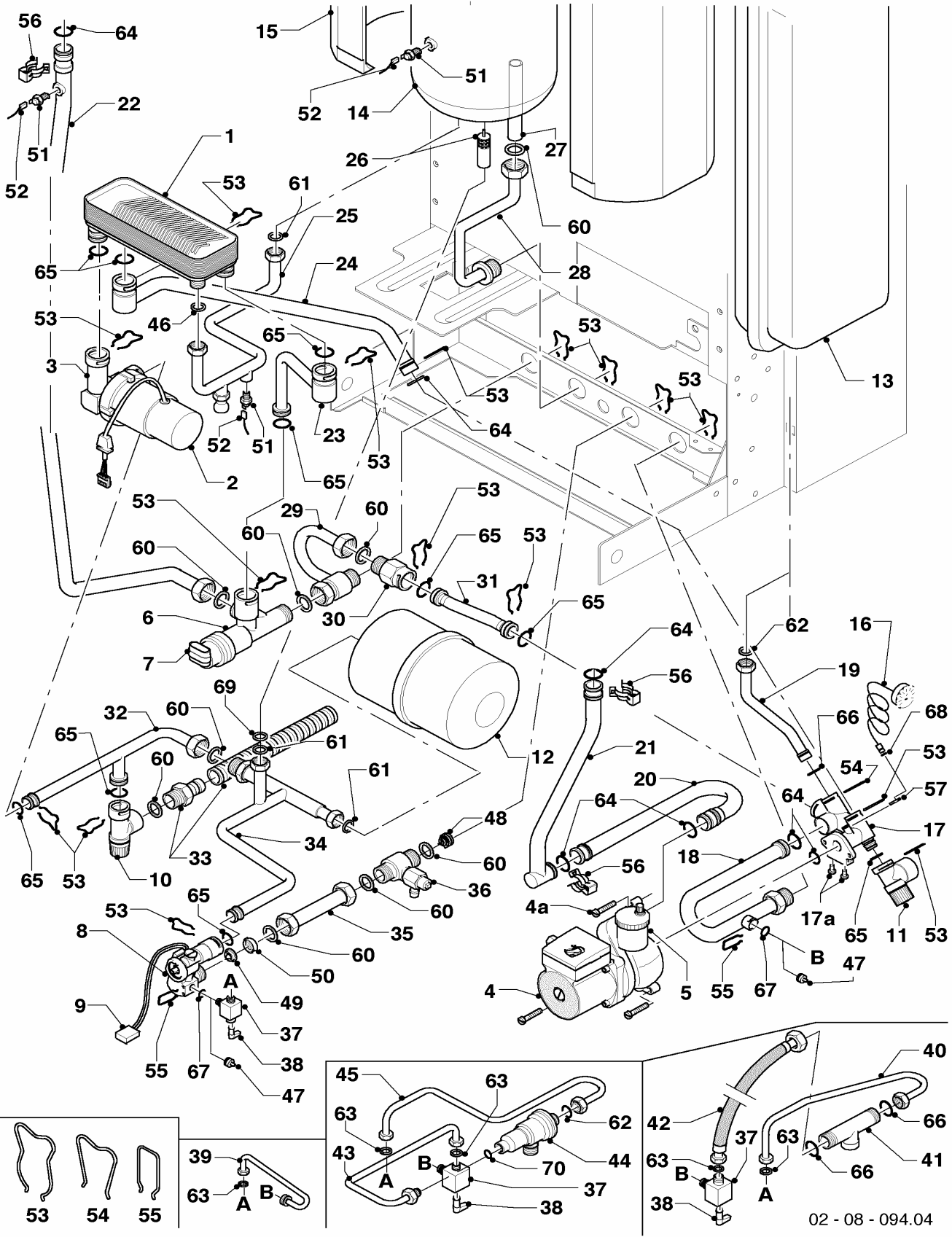
Pos.	Art.-No	Part	Type, note
		02-08-094	
01	064724	secondary heat exchanger, 28 plates	with parts 46,53,65
02	255031	d.h.w. pump motor	
03	092001	connection piece	
04	160977	pump, VP5/2 S2 Grundfos	with parts 04a,64
04a	118951	lens head screw	
05	061707	automatic de-aerator	
06	252457	diverter valve	
07	140429	diverter valve actuator	
08	194819	aqua-sensor, cpl.	with parts 47,50,53,55,60,65,67
09	711933	sensor	
10	190745	pressure relief valve 10 bar	with parts 53,65
11	190732	pressure relief valve	with parts 53,65
12	181081	expansion vessel 1 ltr.	
13	181079	expansion vessel 10 ltr.	with part 62
14	064072	reservoir 15 ltr.	with parts 15,26,27,60,61,69
15	-	-	not available (see pos. no. 14)
16	101271	manometer	with parts 57,68
17	019392	connecting piece, cpl.	with parts 17a,53,54,57,64,65,66,68
17a	118937	lens head screw	
18	094111	connecting tube	with parts 55,64,67
19	094115	connecting tube	with parts 54,62,66
20	019383	connecting tube, cpl.	with parts 56,64
21	022590	connecting tube, cpl.	with parts 56,64
22	023227	connecting tube	with parts 56,60,64
23	094123	connecting tube	with parts 53,65
24	094122	connecting tube	with parts 53,64,65
25	094112	connecting tube	with parts 46,61
26	-	-	not available (see pos. no. 14)
27	091700	warm water connection tube, cpl.	with part 60
28	094113	warm water connection tube, cpl.	with parts 53,60
29	094140	connecting tube	with parts 53,60
30	150242	automatic bypass valve, cpl. 1.7m	with parts 53,60,65
30	150243	automatic bypass valve, cpl. 3.5m	with parts 53,60,65
30	150240	automatic bypass valve, cpl. 2.5m	with parts 53,60,65
31	094114	connecting tube	with parts 53,65
32	023226	connecting tubes (set)	only as complete kit (pos. 32,35,36), with parts 53,60,65
33	092002	connection piece, cpl.	with part 60
34	094139	connecting tube	with parts 53,60,61,65,69
35	023226	connecting tubes (set)	only as complete kit (pos. 32,35,36), with parts 53,60,65
36	023226	connecting tubes (set)	only as complete kit (pos. 32,35,36), with parts 53,60,65
37	014675	filling valve without non-return valve	with parts 38,55,63,67
38	125151	handle for drain cock	
39	-	-	not for GB
40	023225	connecting tube	with parts 63,66
41	014676	non-return valve, cpl.	with part 66
42	095610	flexible metal hose	with parts 63,66
43	-	-	not for GB
44	-	-	not for GB
45	-	-	not for GB
46	981142	packingring (set of 10)	

Subject to alteration !

Attention: Please take the gross price from the valid price list !

08 Hydraulic parts

VUI 362-7, aquaPLUS



02 - 08 - 094.04

08 Hydraulic parts

VUI 362-7, aquaPLUS

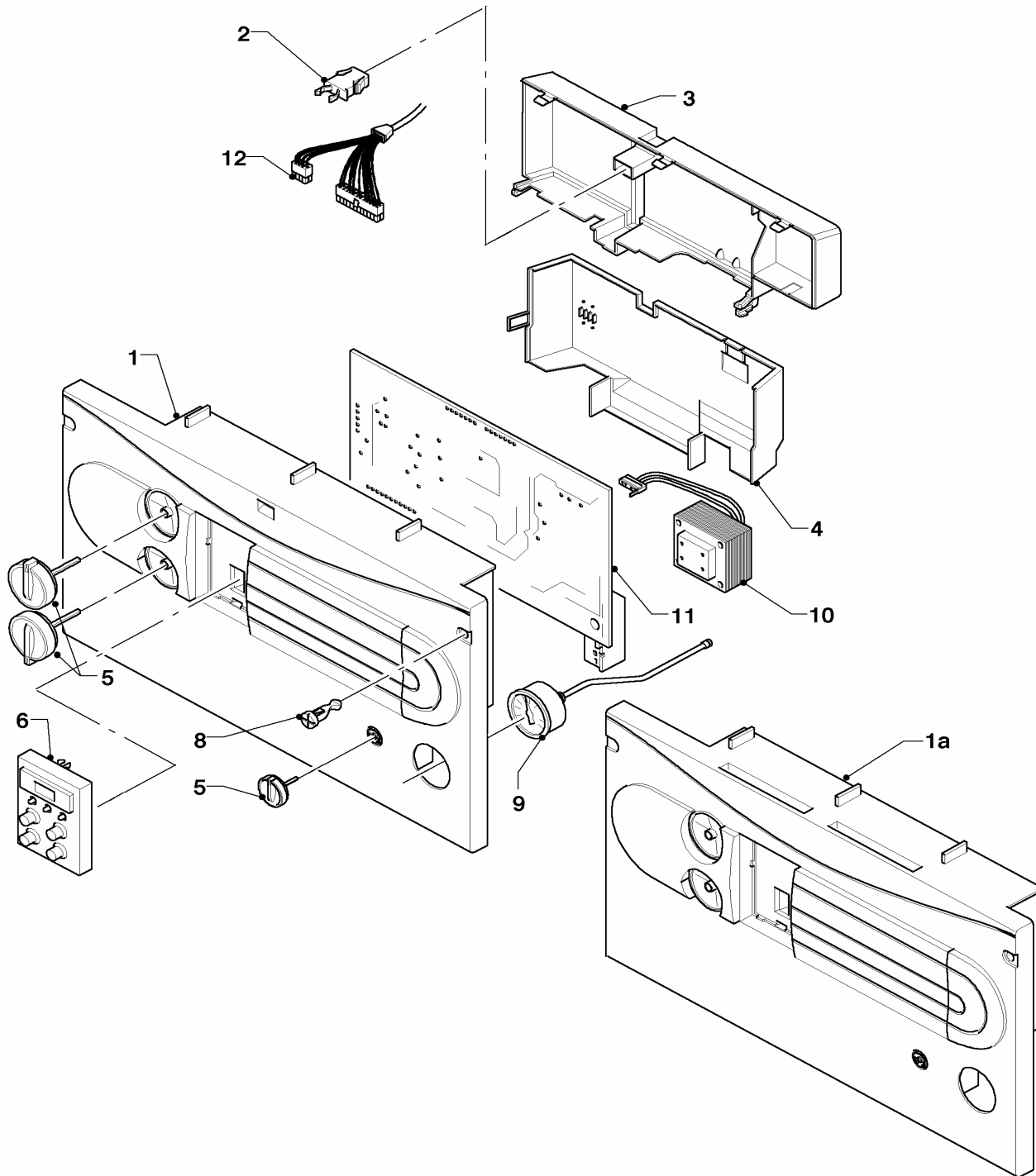
Pos.	Art.-No	Part	Type, note
		02-08-094	
47	-	-	not for GB
48	-	-	not for GB
49	011603	water quantity limiter (14 l/min)	
50	074514	filter, cpl.	
51	252805	NTC-sensor	
52	256304	cable tree	
53	219622	spring clamp (set of 10)	
54	219623	spring clamp (set of 10)	
55	154150	clip	
56	219621	spring clamp (set of 10)	
57	085751	pressure gauge clip	
60	981140	packingring (set of 10)	
61	981142	packingring (set of 10)	
62	981149	packingring (set of 10)	
63	981146	packingring (set of 10)	
64	981151	packingring (set of 10)	
65	981163	packingring (set of 10)	
66	981165	packingring (set of 10)	
67	981154	packingring (set of 10)	
68	981155	packingring (set of 10)	
69	981373	packingring (set of 10)	
70	980308	packingring	

Subject to alteration !

Attention: Please take the gross price from the valid price list !

12 Control box

VUI 362-7, aquaPLUS



02 - 12 - 042.04

12 Control box

VUI 362-7, aquaPLUS

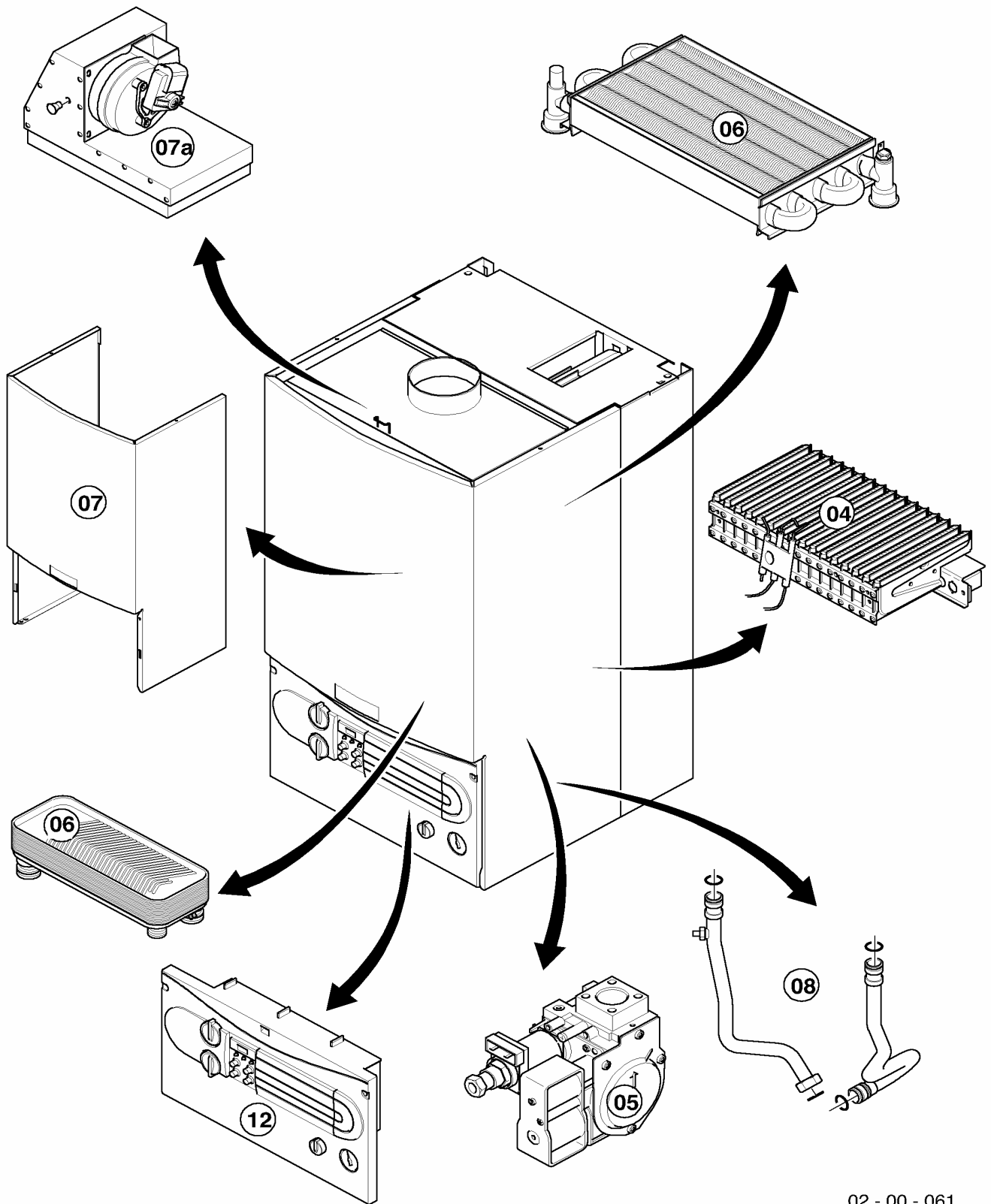
Pos.	Art.-No	Part	Type, note
		02-12-042	
00	251961	fuse 1.25 AT (set of 10)	1.25 AT, not shown
00	251955	fuse 2.0 AT (set of 10)	2.0 AT, not shown
01	-	-	not for these appliances
01a	136894	front cover (grey)	with part 05
02	-	-	not for these appliances
03	-	-	not available as spare part
04	136882	back panel	
05	114288	knobs, cpl. grey (3 knobs)	
06	130822	printed circuit with display (grey)	
08	132925	securing fastener (set of 10)	
09	101271	manometer	
10	287450	transformer, cpl.	
11	130821	printed circuit	
12	256304	cable tree	

Subject to alteration !

Attention: Please take the gross price from the valid price list !

General view of sheet

VUI 362-7 R3, aquaPLUS



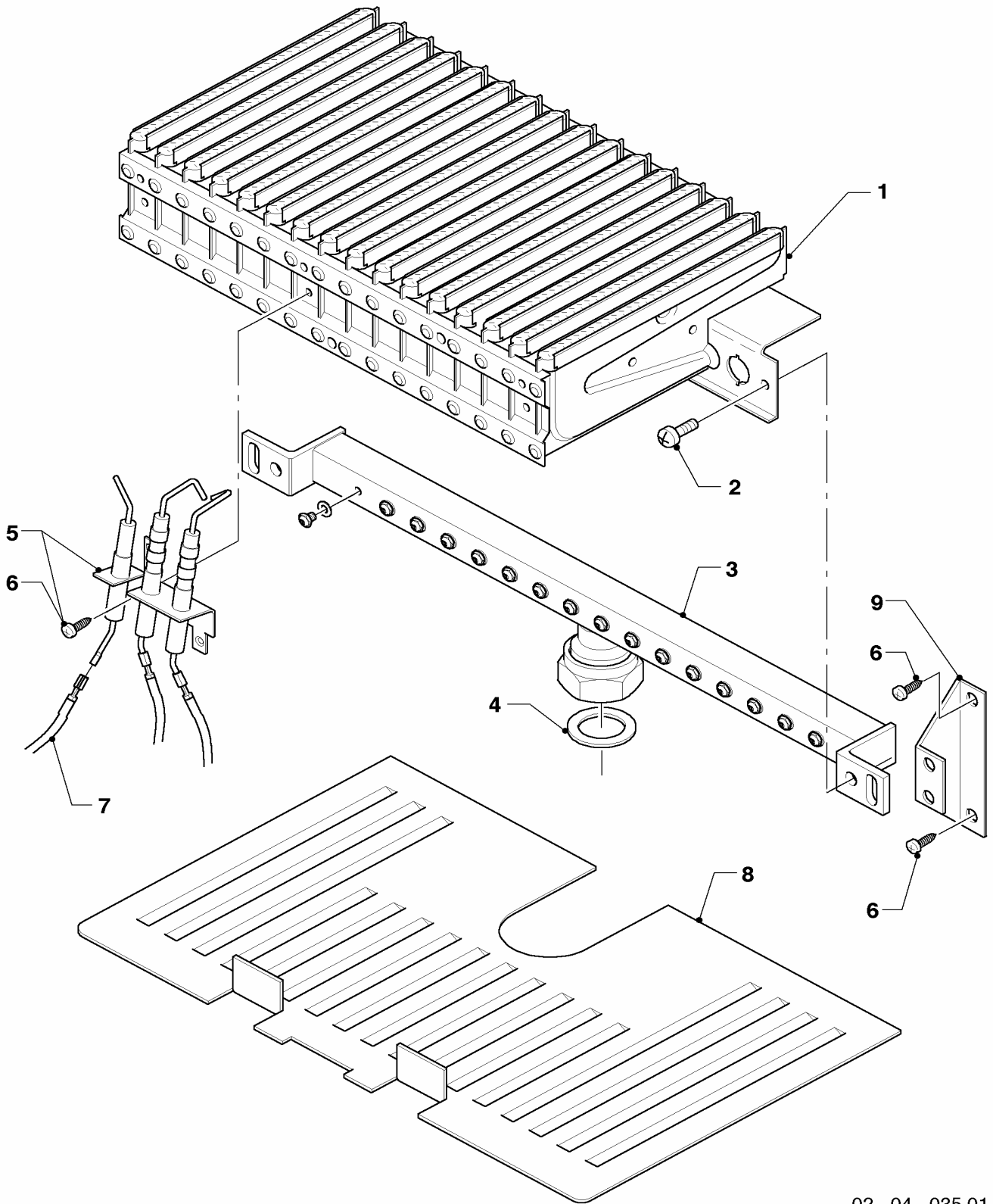
02 - 00 - 061

Subject to alteration !

Attention: Please take the gross price from the valid price list !

04 Burner

VUI 362-7 R3, aquaPLUS



02 - 04 - 035.01

04 Burner

VUI 362-7 R3, aquaPLUS

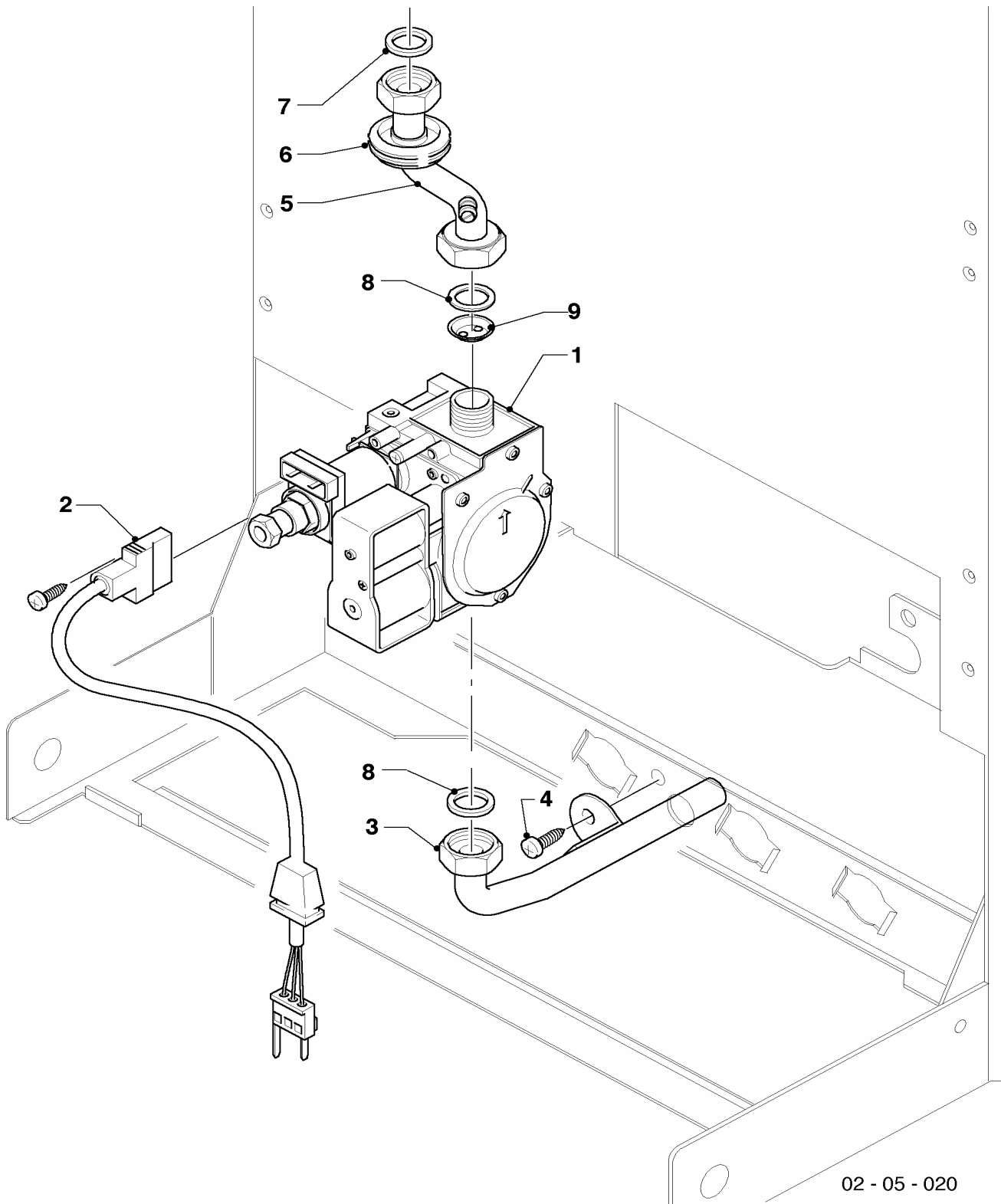
Pos.	Art.-No	Part	Type, note
		02-04-035	
01	031532	burner chamber group	with part 02
02	118937	lens head screw	
03	126795	distributor tube,cpl. H	VUI 362-7 R3 H, with parts 02,04
03	126796	distributor tube,cpl. B	VUI 362-7 R3 B, with parts 02,04
04	981142	packingring (set of 10)	
05	090751	ignition + monitoring elektrode	with part 06
06	235750	screw	
07	256304	cable tree	
08	-	-	not for GB
09	098916	support (set of 2)	with parts 02,06

Subject to alteration !

Attention: Please take the gross price from the valid price list !

05 Gas section

VUI 362-7 R3, aquaPLUS



02 - 05 - 020

05 Gas section

VUI 362-7 R3, aquaPLUS

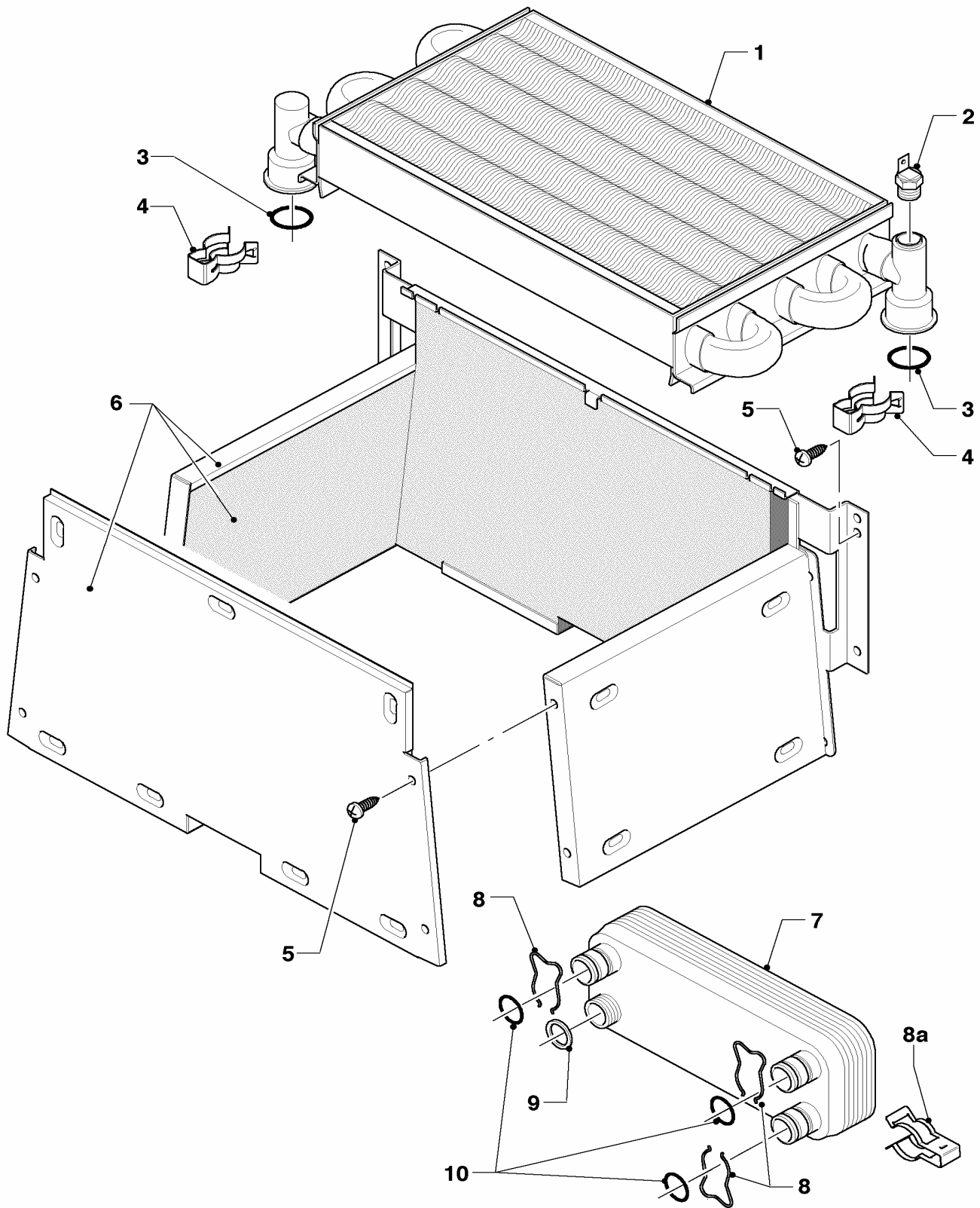
Pos.	Art.-No	Part	Type, note
		02-05-020	
01	114189	gas section, cpl. H	VUI ... R3 H, with part 08
01	053561	gas section, cpl. P/B	VUI ... R3 B, with part 08
02	090915	connection cable	
03	123503	gas tube	with parts 04,08
04	235715	screw	
05	123502	gas tube	with parts 06,07,08
06	980765	grommet	
07	981142	packingring (set of 10)	
08	981307	packingring (set of 10)	
09	-	-	VUI 362-7 R3 H, These appliances do not have a throttle jet.
09	049754	pre-nozzle (2 x 4,75)	VUI 362-7 R3 B, with part 08

Subject to alteration !

Attention: Please take the gross price from the valid price list !

06 Heat exchanger

VUI 362-7 R3, aquaPLUS



02 - 06 - 026.02

06 Heat exchanger

VUI 362-7 R3, aquaPLUS

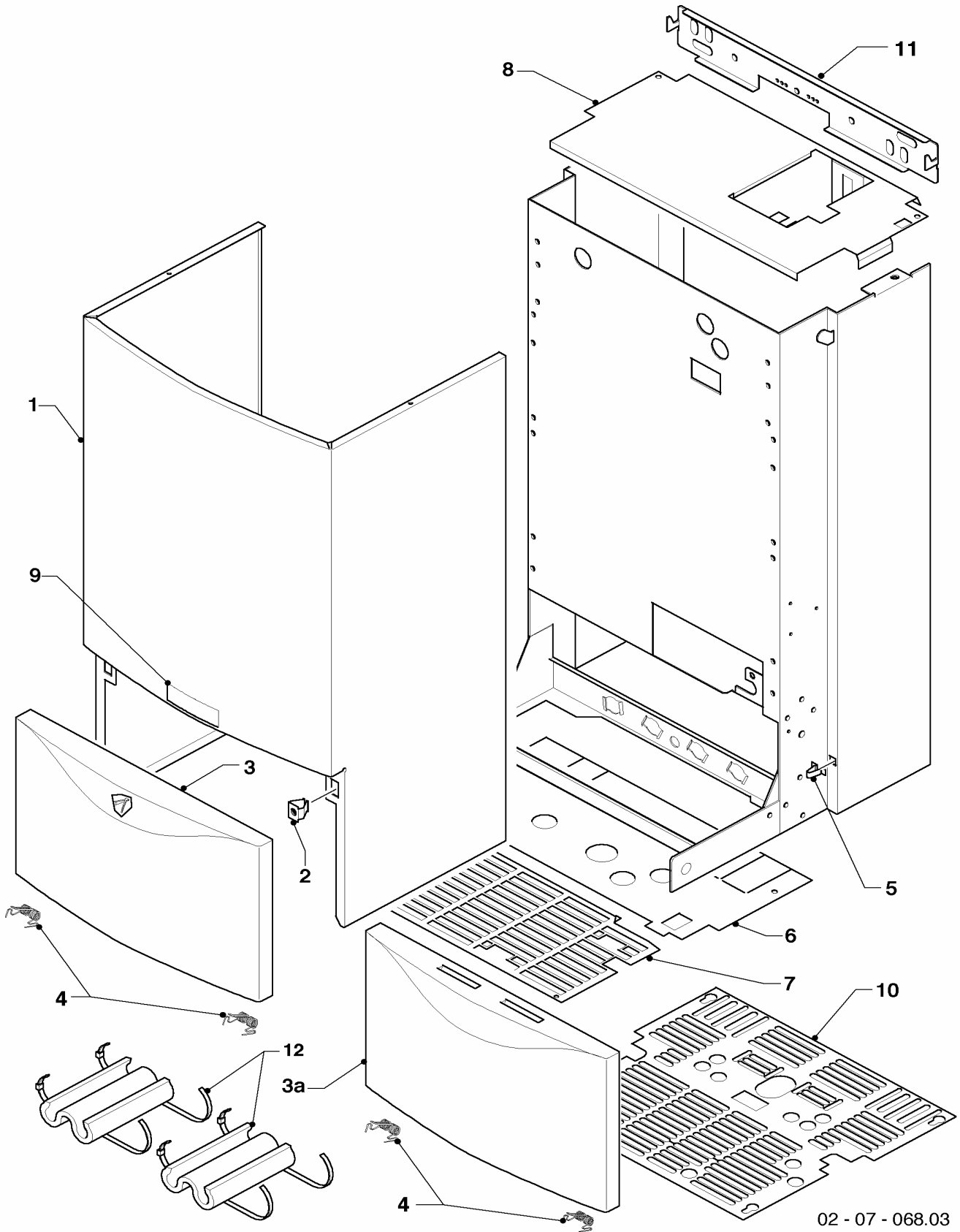
Pos.	Art.-No	Part	Type, note
		02-06-026	
01	065152	heat exchanger, cpl. 36kW	with parts 03,04
02	252805	NTC-sensor	
03	981151	packingring (set of 10)	
04	219621	spring clamp (set of 10)	
05	235715	screw	
06	117545	combustion chamber, 28-36kW	with part 05
07	064724	secondary heat exchanger, 28 plates	with parts 08,08a,09,10
08	219622	spring clamp (set of 10)	
08a	219636	clip (set of 2)	
09	981142	packingring (set of 10)	
10	981163	packingring (set of 10)	

Subject to alteration !

Attention: Please take the gross price from the valid price list !

07 Casing parts

VUI 362-7 R3, aquaPLUS



02 - 07 - 068.03

07 Casing parts

VUI 362-7 R3, aquaPLUS

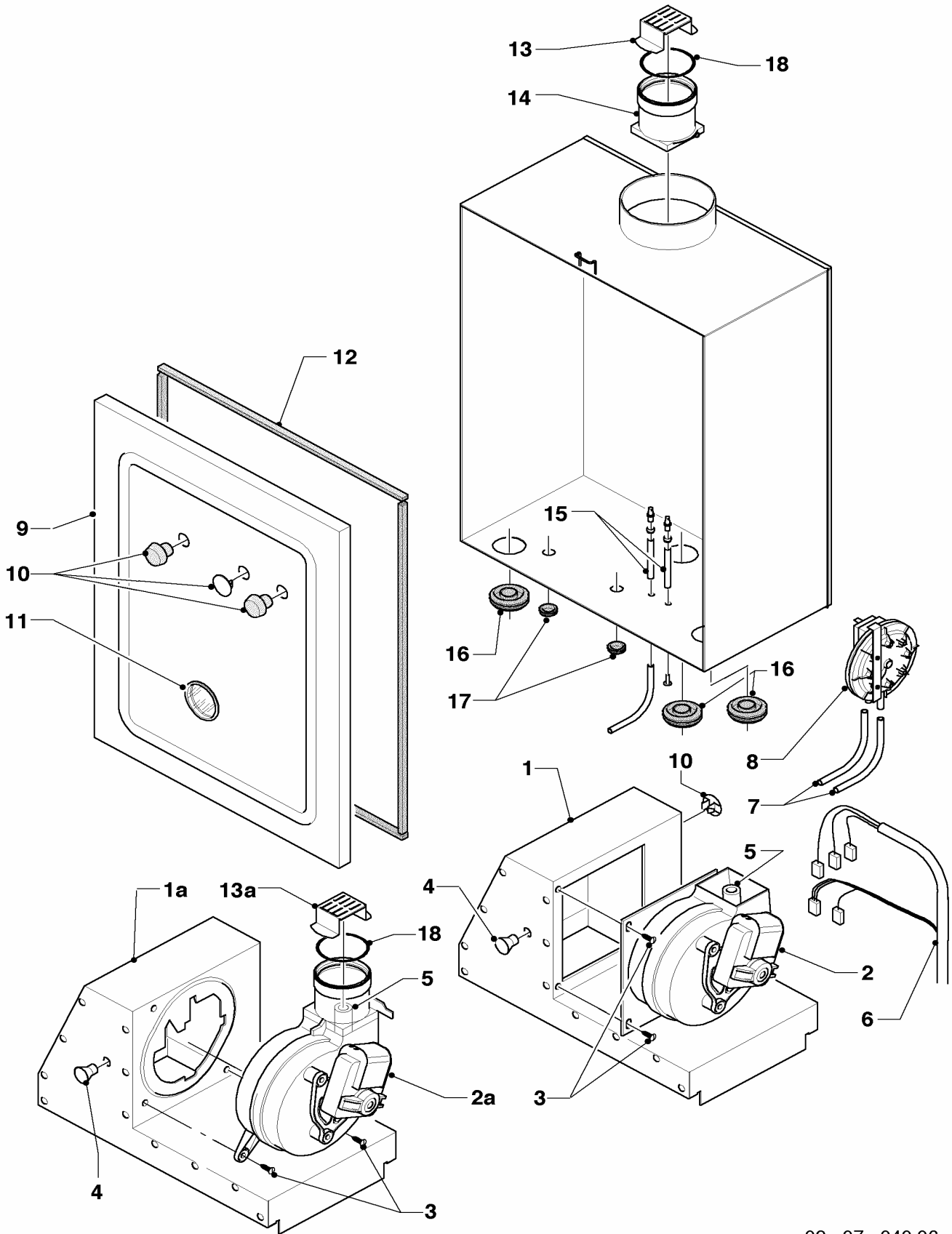
Pos.	Art.-No	Part	Type, note
		02-07-068	
01	067314	case cpl.	with parts 02,05
02	219620	clip (pack of 10)	
03	-	-	not for these appliances
03a	078345	cover, casing (sheet metal)	with part 04
04	188742	spring (pack of 2)	
05	219619	clip (pack of 10)	
06	-	-	no longer available
07	-	-	no longer available
08	069934	top cover	
09	118096	badge, cpl.	
10	079639	bottom cover	
11	099035	hanging bracket	
12	-	-	not for these appliances

Subject to alteration !

Attention: Please take the gross price from the valid price list !

07a Air pressure chamber, fan

VUI 362-7 R3, aquaPLUS



02 - 07 - 040.06

07a Air pressure chamber, fan

VUI 362-7 R3, aquaPLUS

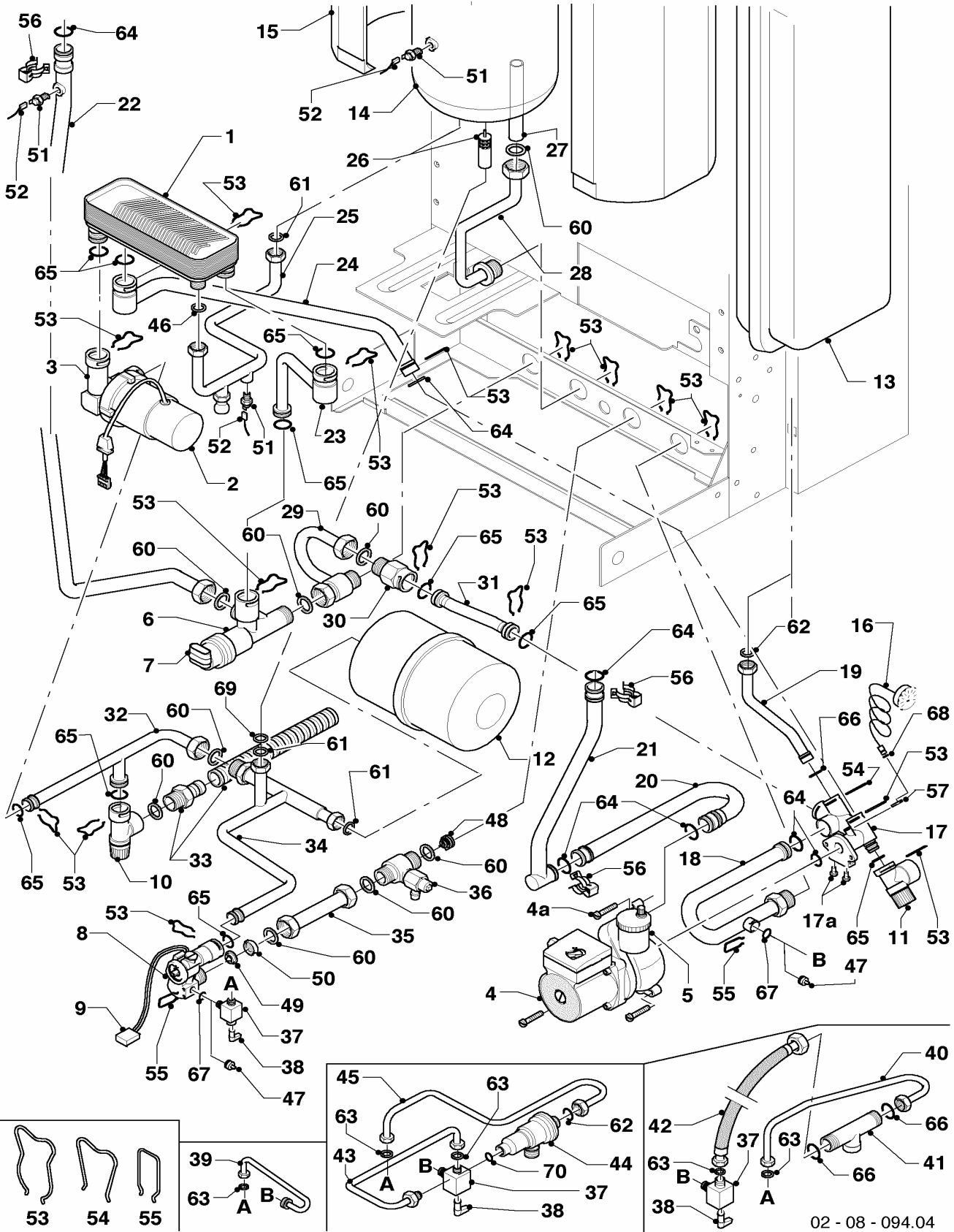
Pos.	Art.-No	Part	Type, note
		02-07-040	
01	077794	flue collector cap	with parts 04,10
01a	-	-	not for these appliances
02	190262	fan	with parts 03,05
02a	-	-	not for these appliances
03	235715	screw	
04	210981	rubber funnel	
05	094282	pitot tube, cpl.	MVL + FIME
06	256304	cable tree	
07	084139	hose, cpl.	
08	050577	fan proving switch	with part 07
09	078910	combustion chamber cover, cpl.	with parts 10,11,12
10	139472	plug (set of 3)	
11	-	-	no longer available, for replacement see pos. 09 (cover underpressure chamber, cpl.)
12	981048	seal, cpl.	
13	194170	reducing ring F-F2	
13a	-	-	not for these appliances
14	083384	sleeve, cpl.	with part 18
15	133627	test nipple, cpl.	
16	980765	grommet	
17	980766	seal	
18	981178	packingring	

Subject to alteration !

Attention: Please take the gross price from the valid price list !

08 Hydraulic parts

VUI 362-7 R3, aquaPLUS



02 - 08 - 094.04

08 Hydraulic parts

VUI 362-7 R3, aquaPLUS

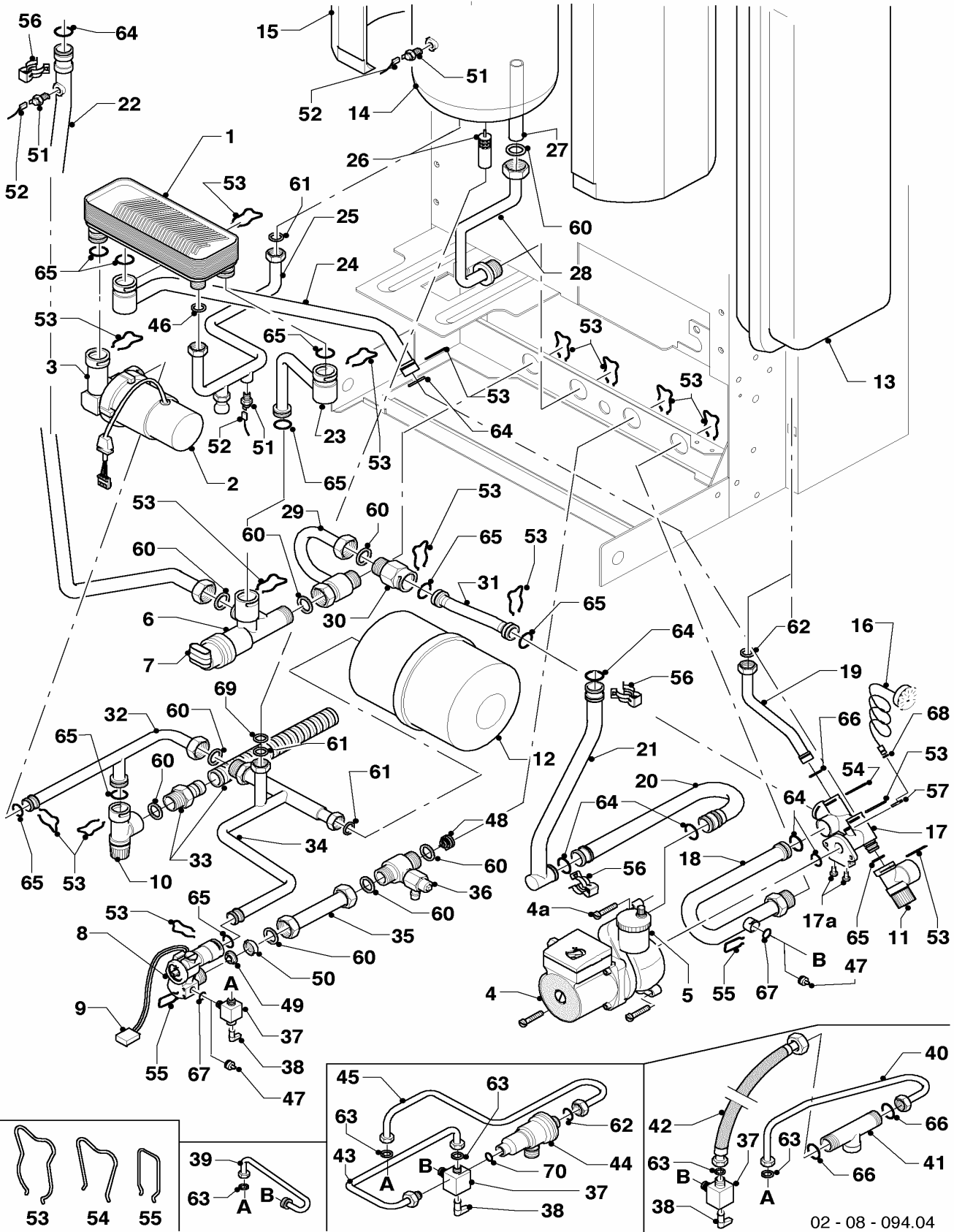
Pos.	Art.-No	Part	Type, note
		02-08-094	
01	064724	secondary heat exchanger, 28 plates	with parts 46,53,65
02	255031	d.h.w. pump motor	
03	092001	connection piece	
04	160977	pump, VP5/2 S2 Grundfos	with parts 04a,64
04a	118951	lens head screw	
05	061707	automatic de-aerator	
06	252457	diverter valve	
07	140429	diverter valve actuator	
08	194819	aqua-sensor, cpl.	with parts 47,50,53,55,60,65,67
09	711933	sensor	
10	190745	pressure relief valve 10 bar	with parts 53,65
11	190732	pressure relief valve	with parts 53,65
12	181081	expansion vessel 1 ltr.	
13	181079	expansion vessel 10 ltr.	with part 62
14	064072	reservoir 15 ltr.	with parts 15,26,27,60,61,69
15	-	-	not available (see pos. no. 14)
16	101271	manometer	with parts 57,68
17	019392	connecting piece, cpl.	with parts 17a,53,54,57,64,65,66,68
17a	118937	lens head screw	
18	094111	connecting tube	with parts 55,64,67
19	094115	connecting tube	with parts 54,62,66
20	019383	connecting tube, cpl.	with parts 56,64
21	022590	connecting tube, cpl.	with parts 56,64
22	023227	connecting tube	with parts 56,60,64
23	094123	connecting tube	with parts 53,65
24	094122	connecting tube	with parts 53,64,65
25	094112	connecting tube	with parts 46,61
26	-	-	not available (see pos. no. 14)
27	091700	warm water connection tube, cpl.	with part 60
28	094113	warm water connection tube, cpl.	with parts 53,60
29	094140	connecting tube	with parts 53,60
30	150242	automatic bypass valve, cpl. 1.7m	with parts 53,60,65
30	150243	automatic bypass valve, cpl. 3.5m	with parts 53,60,65
30	150240	automatic bypass valve, cpl. 2.5m	with parts 53,60,65
31	094114	connecting tube	with parts 53,65
32	023226	connecting tubes (set)	only as complete kit (pos. 32,35,36), with parts 53,60,65
33	092002	connection piece, cpl.	with part 60
34	094139	connecting tube	with parts 53,60,61,65,69
35	023226	connecting tubes (set)	only as complete kit (pos. 32,35,36), with parts 53,60,65
36	023226	connecting tubes (set)	only as complete kit (pos. 32,35,36), with parts 53,60,65
37	014675	filling valve without non-return valve	with parts 38,55,63,67
38	125151	handle for drain cock	
39	-	-	not for GB
40	023225	connecting tube	with parts 63,66
41	014676	non-return valve, cpl.	with part 66
42	095610	flexible metal hose	with parts 63,66
43	-	-	not for GB
44	-	-	not for GB
45	-	-	not for GB
46	981142	packingring (set of 10)	

Subject to alteration !

Attention: Please take the gross price from the valid price list !

08 Hydraulic parts

VUI 362-7 R3, aquaPLUS



02 - 08 - 094.04

08 Hydraulic parts

VUI 362-7 R3, aquaPLUS

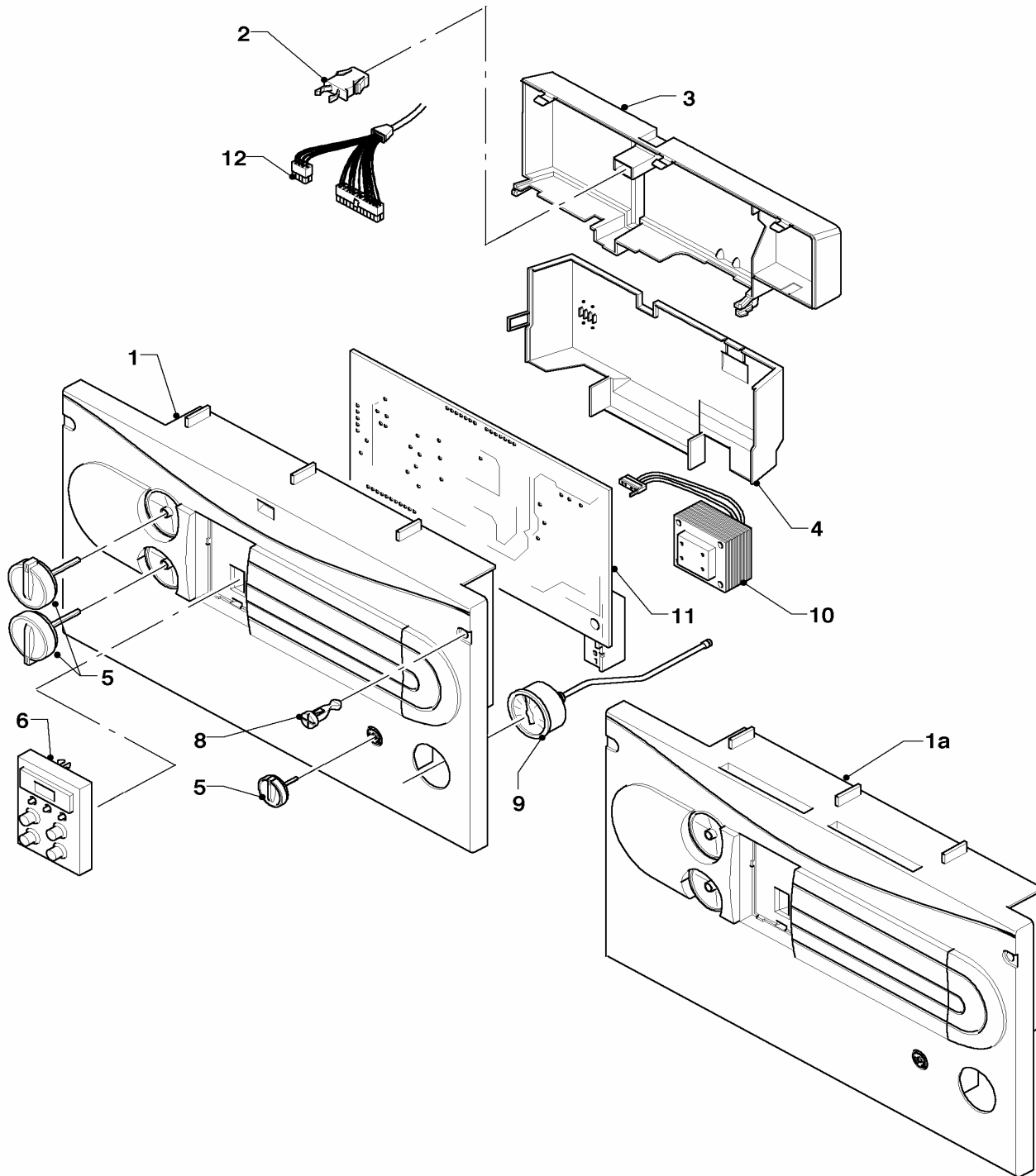
Pos.	Art.-No	Part	Type, note
		02-08-094	
47	-	-	not for GB
48	-	-	not for GB
49	011603	water quantity limiter (14 l/min)	
50	074514	filter, cpl.	
51	252805	NTC-sensor	
52	256304	cable tree	
53	219622	spring clamp (set of 10)	
54	219623	spring clamp (set of 10)	
55	154150	clip	
56	219621	spring clamp (set of 10)	
57	085751	pressure gauge clip	
60	981140	packingring (set of 10)	
61	981142	packingring (set of 10)	
62	981149	packingring (set of 10)	
63	981146	packingring (set of 10)	
64	981151	packingring (set of 10)	
65	981163	packingring (set of 10)	
66	981165	packingring (set of 10)	
67	981154	packingring (set of 10)	
68	981155	packingring (set of 10)	
69	981373	packingring (set of 10)	
70	980308	packingring	

Subject to alteration !

Attention: Please take the gross price from the valid price list !

12 Control box

VUI 362-7 R3, aquaPLUS



02 - 12 - 042.04

12 Control box

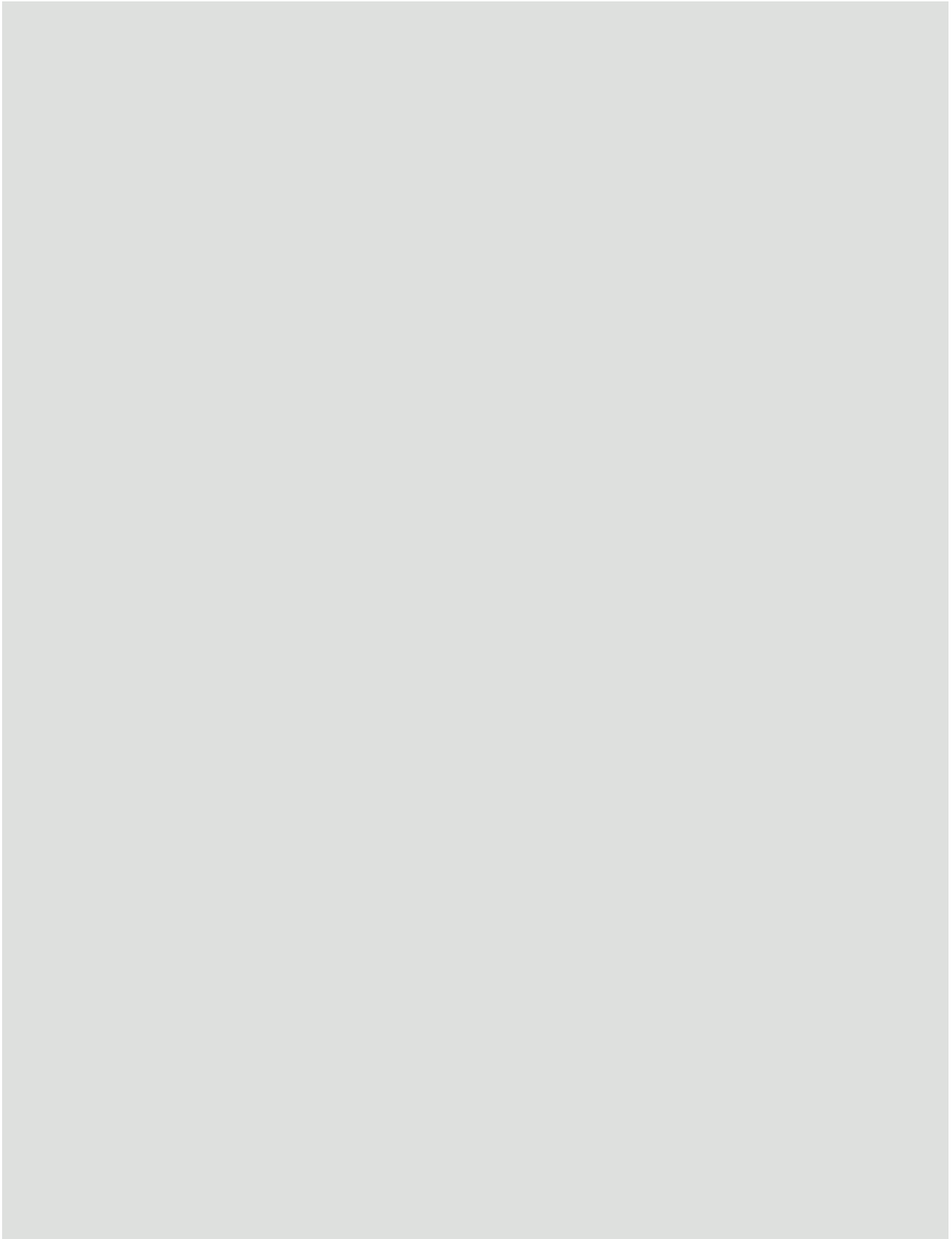
VUI 362-7 R3, aquaPLUS

Pos.	Art.-No	Part	Type, note
		02-12-042	
00	251961	fuse 1.25 AT (set of 10)	1.25 AT, not shown
00	251955	fuse 2.0 AT (set of 10)	2.0 AT, not shown
01	-	-	not for these appliances
01a	136894	front cover (grey)	with part 05
02	-	-	not for these appliances
03	-	-	not available as spare part
04	136882	back panel	
05	114288	knobs, cpl. grey (3 knobs)	
06	130822	printed circuit with display (grey)	
08	132925	securing fastener (set of 10)	
09	101271	manometer	
10	287450	transformer, cpl.	
11	130821	printed circuit	
12	256304	cable tree	

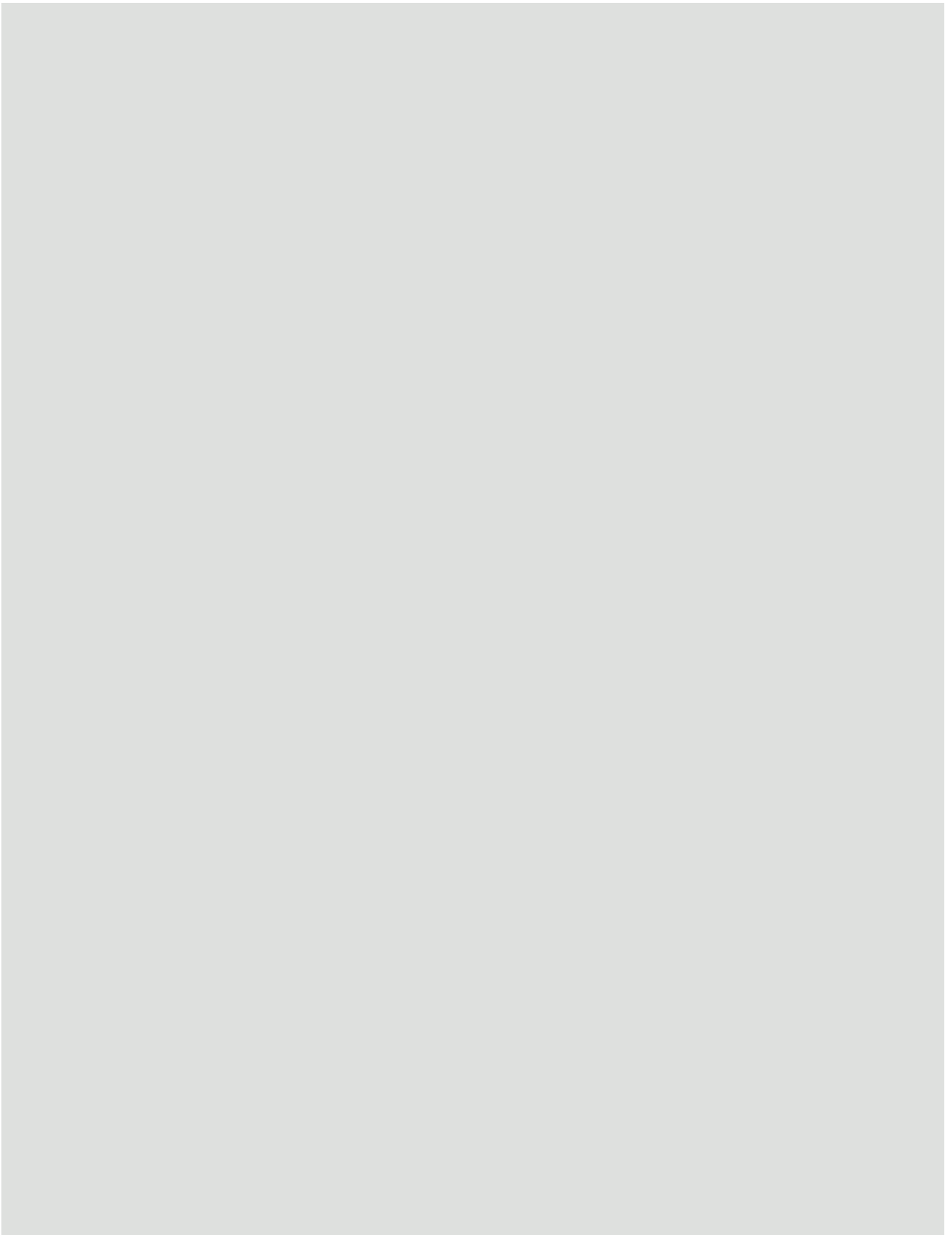
Subject to alteration !

Attention: Please take the gross price from the valid price list !

Notes



Notes



Notes

